

Center of Picture Height
 Min 872
 Max 1387

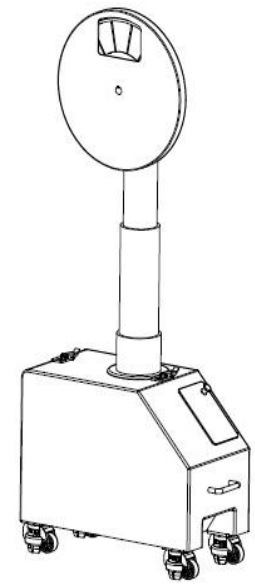
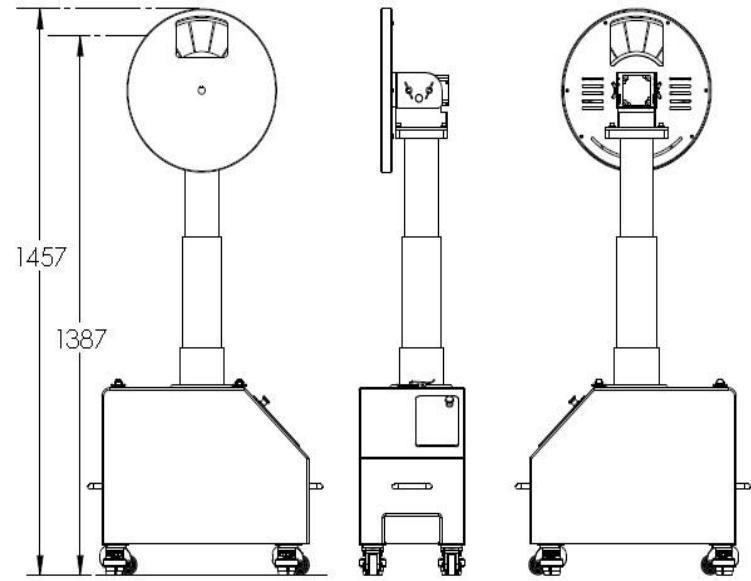
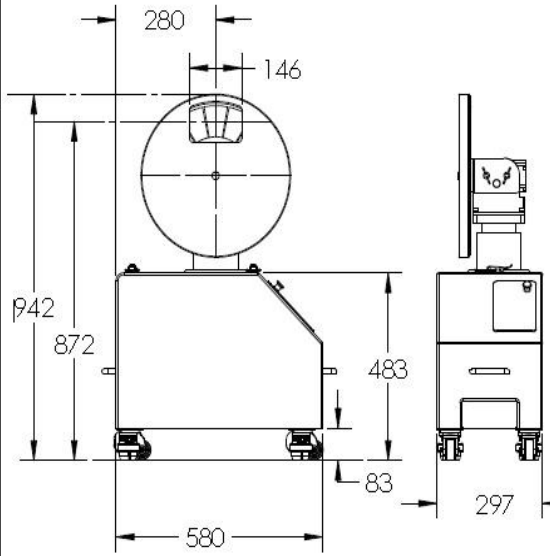
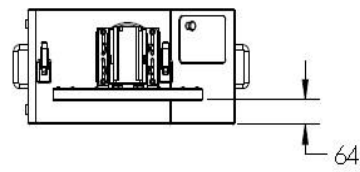
Base
 Depth 297
 Width 580
 Height 483

Filter Wheel Assembly
 Depth 64

Overall Height - Filter Cover Down
 Approx 942

Weight
 52Kg (114 lbs)

REVISIONS				
REV.	ECO #	DESCRIPTION	DATE	APPROVED
3		Prelim	10DEC2011	



UNLESS OTHERWISE SPECIFIED INTERPRET DIMENSIONS AND TOLERANCES PER ASME Y14.5M-1994 ALL DIMENSIONS SHOWN APPLY AFTER PLATING AND COATINGS TOLERANCES APPLY AS SHOWN BELOW: INCHES FRACTIONAL DECIMALS MILLIMETERS +/- DIMENSION ANGULAR DIMENSIONS: ± 0.2° SURFACE ROUGHNESS: MICROINCH 63 MICROINCH 14	UNIT OF MEASURE INCHES <input type="checkbox"/> MILLIMETERS <input checked="" type="checkbox"/>	CAD MAINTAINED DATA CHANGES SHALL BE INCORPORATED ELECTRONICALLY	MASTERMADE OAKVILLE ONTARIO
	PROPRIETARY THE INFORMATION CONTAINED IN THIS DRAWING IS CONFIDENTIAL AND PROPRIETARY AND REMAINS THE SOLE PROPERTY OF MASTERIMAGE THIS DRAWING MAY NOT BE USED, REPRODUCED OR COPIED IN ANY MANNER WITHOUT THE WRITTEN CONSENT OF IMAX CORPORATION. BY ACCEPTANCE OF THIS DRAWING, THE BEARER AGREES TO THESE CONDITIONS.	THIRD ANGLE PROJECTION 	
PRODUCTION APPROVAL DRAWN BY Gmachary 31.MAY2010 DESIGNED BY Gmachary 31.AUG2010 CHECKED BY APPROVED BY		PART DESCRIPTION MI-Clarity3D-SA Outline Drawing (mm)	
PART NUMBER Ami-1003		SIZE B	SCALE 1:12
SHEET 1 OF 1			REV. 3