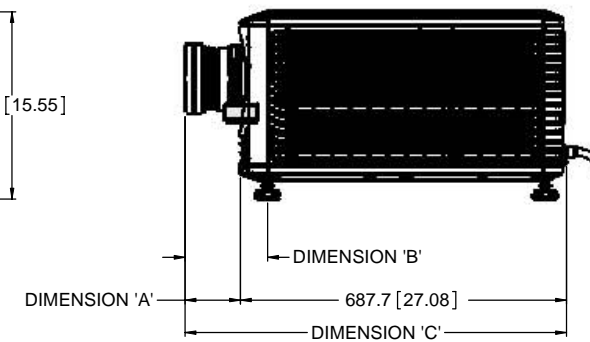
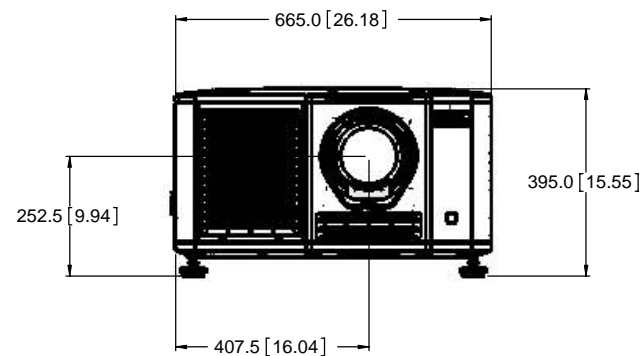
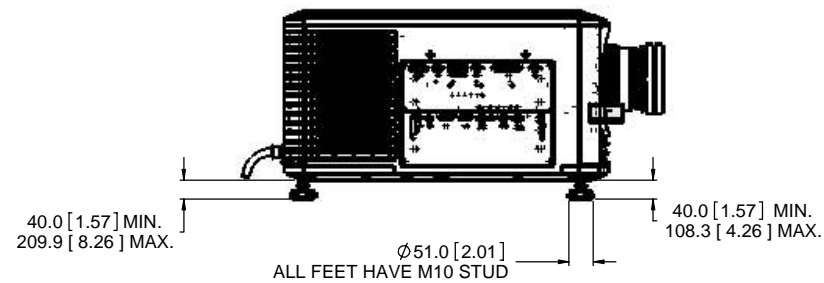
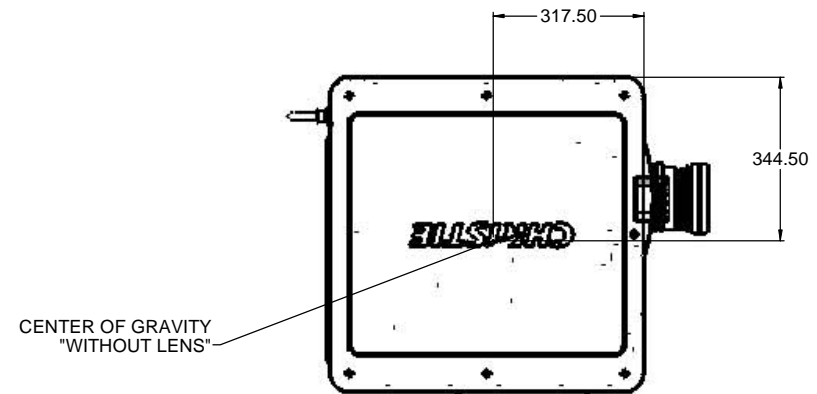
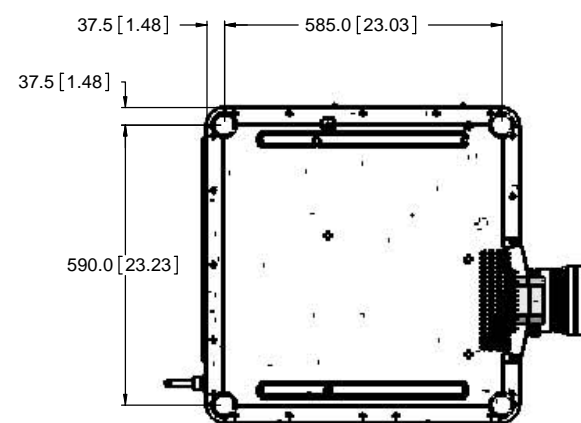


REVISION HISTORY OF: 020-100178-01				
REV	ECO NUMBER	DESCRIPTION OF CHANGE	BY	REV DATE
01	08-1036	ORIGINAL RELEASE	JT	03/20/2008



LENS	DIMENSION 'A'	DIMENSION 'B'	DIMENSION 'C'
1.3-1.75	181.8 [7.16]	239.0 [9.41]	869.5 [34.24]
1.39-1.9	224.3 [8.83]	281.5 [11.08]	912.0 [35.91]
1.5-2.2	250.6 [9.87]	307.8 [12.12]	938.3 [36.95]
1.75-2.4	146.6 [5.77]	203.8 [8.02]	834.3 [32.85]
1.9-3.0	TBD	TBD	TBD
2.4-3.9	132.4 [5.21]	189.6 [7.46]	820.1 [32.29]
3.9-6.52	116.6 [4.59]	173.81 [6.84]	804.3 [31.66]
1.05 (FIXED)	256.2 [10.09]	313.4 [12.34]	943.9 [37.17]



**GENERAL NOTES:**

MASS: 43 kg (95 lbs) NO LENS

AMBIENT AIR TEMPERATURE: 35°C (95°F) MAX.  
EXHAUST REQUIREMENTS: 450 cfm @ 35°C (95°F)  
300 cfm @ 25°C (77°F)

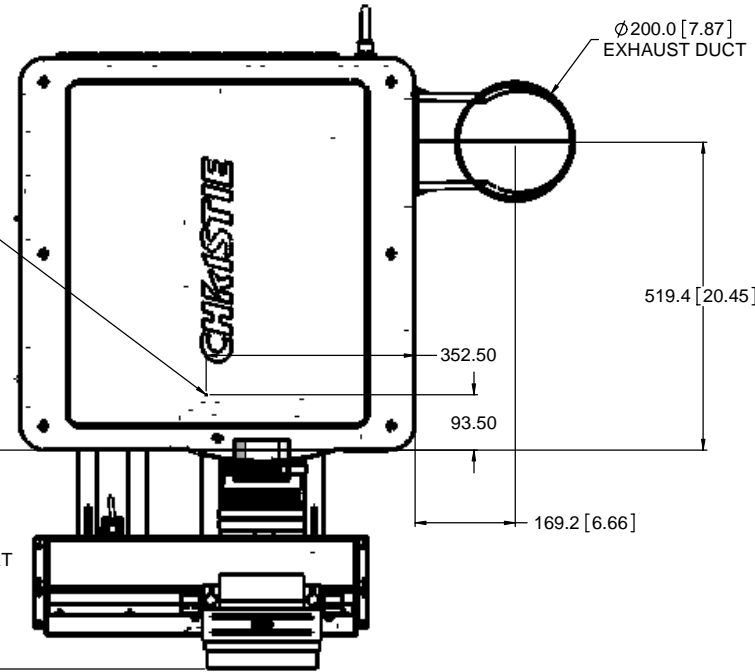
POWER REQUIREMENTS: SINGLE PHASE 220V 20 AMP BREAKER  
POWER CONSUMPTION: 3.2 kW

ROOM HEAT LOAD (WITH EXTRACTOR): 2190 btu  
ROOM HEAT LOAD (WITHOUT EXTRACTOR): 9895 btu  
LAMP EXHAUST HEAT LOAD: 7705 btu

TILT ANGLE: 15° MAX. BACK TO FRONT (REAR FEET ADJUSTMENT)

UNITS: INCHES <input type="checkbox"/> MILLIMETERS <input checked="" type="checkbox"/>	CAD MAINTAINED DATA CHANGES SHALL BE INCORPORATED AUTOMATICALLY		CHRISTIE DIGITAL SYSTEMS USA, INC. CHRISTIE DIGITAL SYSTEMS CANADA, INC.
UNLESS OTHERWISE SPECIFIED INTERPRET DIMENSIONS AND TOLERANCES PER ASME Y14.5M-1994	TOLERANCES APPLY AS SHOWN BELOW		DWG LINE CP2000-M
DECIMAL PLACES: INCHES MILLIMETERS	XXX ± 0.03 ± 0.1	NOT TO BE REPRODUCED OR TRANSMITTED IN ANY MANNER WITHOUT THE EXPRESS WRITTEN PERMISSION OF CHRISTIE	
XX ± 0.1 ± 0.2	XX ± 0.2 ± 0.5	THIRD ANGLE PROJECTION	
XX ± 0.5 ± 1.0	XX ± 1.0 ± 2.0		
XX ± 1.0 ± 2.0	XX ± 2.0 ± 5.0		
XX ± 2.0 ± 5.0	XX ± 5.0 ± 10.0		
XX ± 5.0 ± 10.0	XX ± 10.0 ± 20.0		
XX ± 10.0 ± 20.0	XX ± 20.0 ± 50.0		
XX ± 20.0 ± 50.0	XX ± 50.0 ± 100.0		
XX ± 50.0 ± 100.0	XX ± 100.0 ± 200.0		
XX ± 100.0 ± 200.0	XX ± 200.0 ± 500.0		
XX ± 200.0 ± 500.0	XX ± 500.0 ± 1000.0		
XX ± 500.0 ± 1000.0	XX ± 1000.0 ± 2000.0		
XX ± 1000.0 ± 2000.0	XX ± 2000.0 ± 5000.0		
XX ± 2000.0 ± 5000.0	XX ± 5000.0 ± 10000.0		
XX ± 5000.0 ± 10000.0	XX ± 10000.0 ± 20000.0		
XX ± 10000.0 ± 20000.0	XX ± 20000.0 ± 50000.0		
XX ± 20000.0 ± 50000.0	XX ± 50000.0 ± 100000.0		
XX ± 50000.0 ± 100000.0	XX ± 100000.0 ± 200000.0		
XX ± 100000.0 ± 200000.0	XX ± 200000.0 ± 500000.0		
XX ± 200000.0 ± 500000.0	XX ± 500000.0 ± 1000000.0		
XX ± 500000.0 ± 1000000.0	XX ± 1000000.0 ± 2000000.0		
XX ± 1000000.0 ± 2000000.0	XX ± 2000000.0 ± 5000000.0		
XX ± 2000000.0 ± 5000000.0	XX ± 5000000.0 ± 10000000.0		
XX ± 5000000.0 ± 10000000.0	XX ± 10000000.0 ± 20000000.0		
XX ± 10000000.0 ± 20000000.0	XX ± 20000000.0 ± 50000000.0		
XX ± 20000000.0 ± 50000000.0	XX ± 50000000.0 ± 100000000.0		
XX ± 50000000.0 ± 100000000.0	XX ± 100000000.0 ± 200000000.0		
XX ± 100000000.0 ± 200000000.0	XX ± 200000000.0 ± 500000000.0		
XX ± 200000000.0 ± 500000000.0	XX ± 500000000.0 ± 1000000000.0		
XX ± 500000000.0 ± 1000000000.0	XX ± 1000000000.0 ± 2000000000.0		
XX ± 1000000000.0 ± 2000000000.0	XX ± 2000000000.0 ± 5000000000.0		
XX ± 2000000000.0 ± 5000000000.0	XX ± 5000000000.0 ± 10000000000.0		
XX ± 5000000000.0 ± 10000000000.0	XX ± 10000000000.0 ± 20000000000.0		
XX ± 10000000000.0 ± 20000000000.0	XX ± 20000000000.0 ± 50000000000.0		
XX ± 20000000000.0 ± 50000000000.0	XX ± 50000000000.0 ± 100000000000.0		
XX ± 50000000000.0 ± 100000000000.0	XX ± 100000000000.0 ± 200000000000.0		
XX ± 100000000000.0 ± 200000000000.0	XX ± 200000000000.0 ± 500000000000.0		
XX ± 200000000000.0 ± 500000000000.0	XX ± 500000000000.0 ± 1000000000000.0		
XX ± 500000000000.0 ± 1000000000000.0	XX ± 1000000000000.0 ± 2000000000000.0		
XX ± 1000000000000.0 ± 2000000000000.0	XX ± 2000000000000.0 ± 5000000000000.0		
XX ± 2000000000000.0 ± 5000000000000.0	XX ± 5000000000000.0 ± 10000000000000.0		
XX ± 5000000000000.0 ± 10000000000000.0	XX ± 10000000000000.0 ± 20000000000000.0		
XX ± 10000000000000.0 ± 20000000000000.0	XX ± 20000000000000.0 ± 50000000000000.0		
XX ± 20000000000000.0 ± 50000000000000.0	XX ± 50000000000000.0 ± 100000000000000.0		
XX ± 50000000000000.0 ± 100000000000000.0	XX ± 100000000000000.0 ± 200000000000000.0		
XX ± 100000000000000.0 ± 200000000000000.0	XX ± 200000000000000.0 ± 500000000000000.0		
XX ± 200000000000000.0 ± 500000000000000.0	XX ± 500000000000000.0 ± 1000000000000000.0		
XX ± 500000000000000.0 ± 1000000000000000.0	XX ± 1000000000000000.0 ± 2000000000000000.0		
XX ± 1000000000000000.0 ± 2000000000000000.0	XX ± 2000000000000000.0 ± 5000000000000000.0		
XX ± 2000000000000000.0 ± 5000000000000000.0	XX ± 5000000000000000.0 ± 10000000000000000.0		
XX ± 5000000000000000.0 ± 10000000000000000.0	XX ± 10000000000000000.0 ± 20000000000000000.0		
XX ± 10000000000000000.0 ± 20000000000000000.0	XX ± 20000000000000000.0 ± 50000000000000000.0		
XX ± 20000000000000000.0 ± 50000000000000000.0	XX ± 50000000000000000.0 ± 100000000000000000.0		
XX ± 50000000000000000.0 ± 100000000000000000.0	XX ± 100000000000000000.0 ± 200000000000000000.0		
XX ± 100000000000000000.0 ± 200000000000000000.0	XX ± 200000000000000000.0 ± 500000000000000000.0		
XX ± 200000000000000000.0 ± 500000000000000000.0	XX ± 500000000000000000.0 ± 1000000000000000000.0		
XX ± 500000000000000000.0 ± 1000000000000000000.0	XX ± 1000000000000000000.0 ± 2000000000000000000.0		
XX ± 1000000000000000000.0 ± 2000000000000000000.0	XX ± 2000000000000000000.0 ± 5000000000000000000.0		
XX ± 2000000000000000000.0 ± 5000000000000000000.0	XX ± 5000000000000000000.0 ± 10000000000000000000.0		
XX ± 5000000000000000000.0 ± 10000000000000000000.0	XX ± 10000000000000000000.0 ± 20000000000000000000.0		
XX ± 10000000000000000000.0 ± 20000000000000000000.0	XX ± 20000000000000000000.0 ± 50000000000000000000.0		
XX ± 20000000000000000000.0 ± 50000000000000000000.0	XX ± 50000000000000000000.0 ± 100000000000000000000.0		
XX ± 50000000000000000000.0 ± 100000000000000000000.0	XX ± 100000000000000000000.0 ± 200000000000000000000.0		
XX ± 100000000000000000000.0 ± 200000000000000000000.0	XX ± 200000000000000000000.0 ± 500000000000000000000.0		
XX ± 200000000000000000000.0 ± 500000000000000000000.0	XX ± 500000000000000000000.0 ± 1000000000000000000000.0		
XX ± 500000000000000000000.0 ± 1000000000000000000000.0	XX ± 1000000000000000000000.0 ± 2000000000000000000000.0		
XX ± 1000000000000000000000.0 ± 2000000000000000000000.0	XX ± 2000000000000000000000.0 ± 5000000000000000000000.0		
XX ± 2000000000000000000000.0 ± 5000000000000000000000.0	XX ± 5000000000000000000000.0 ± 10000000000000000000000.0		
XX ± 5000000000000000000000.0 ± 10000000000000000000000.0	XX ± 10000000000000000000000.0 ± 20000000000000000000000.0		
XX ± 10000000000000000000000.0 ± 20000000000000000000000.0	XX ± 20000000000000000000000.0 ± 50000000000000000000000.0		
XX ± 20000000000000000000000.0 ± 50000000000000000000000.0	XX ± 50000000000000000000000.0 ± 100000000000000000000000.0		
XX ± 50000000000000000000000.0 ± 100000000000000000000000.0	XX ± 100000000000000000000000.0 ± 200000000000000000000000.0		
XX ± 100000000000000000000000.0 ± 200000000000000000000000.0	XX ± 200000000000000000000000.0 ± 500000000000000000000000.0		
XX ± 200000000000000000000000.0 ± 500000000000000000000000.0	XX ± 500000000000000000000000.0 ± 1000000000000000000000000.0		
XX ± 500000000000000000000000.0 ± 1000000000000000000000000.0	XX ± 1000000000000000000000000.0 ± 2000000000000000000000000.0		
XX ± 1000000000000000000000000.0 ± 2000000000000000000000000.0	XX ± 2000000000000000000000000.0 ± 5000000000000000000000000.0		
XX ± 2000000000000000000000000.0 ± 5000000000000000000000000.0	XX ± 5000000000000000000000000.0 ± 10000000000000000000000000.0		
XX ± 5000000000000000000000000.0 ± 10000000000000000000000000.0	XX ± 10000000000000000000000000.0 ± 20000000000000000000000000.0		
XX ± 10000000000000000000000000.0 ± 20000000000000000000000000.0	XX ± 20000000000000000000000000.0 ± 50000000000000000000000000.0		
XX ± 20000000000000000000000000.0 ± 50000000000000000000000000.0	XX ± 50000000000000000000000000.0 ± 100000000000000000000000000.0		
XX ± 50000000000000000000000000.0 ± 100000000000000000000000000.0	XX ± 100000000000000000000000000.0 ± 200000000000000000000000000.0		
XX ± 100000000000000000000000000.0 ± 200000000000000000000000000.0	XX ± 200000000000000000000000000.0 ± 500000000000000000000000000.0		
XX ± 200000000000000000000000000.0 ± 500000000000000000000000000.0	XX ± 500000000000000000000000000.0 ± 1000000000000000000000000000.0		
XX ± 500000000000000000000000000.0 ± 1000000000000000000000000000.0	XX ± 1000000000000000000000000000.0 ± 2000000000000000000000000000.0		
XX ± 1000000000000000000000000000.0 ± 2000000000000000000000000000.0	XX ± 2000000000000000000000000000.0 ± 5000000000000000000000000000.0		
XX ± 2000000000000000000000000000.0 ± 5000000000000000000000000000.0	XX ± 5000000000000000000000000000.0 ± 10000000000000000000000000000.0		
XX ± 5000000000000000000000000000.0 ± 10000000000000000000000000000.0	XX ± 10000000000000000000000000000.0 ± 20000000000000000000000000000.0		
XX ± 10000000000000000000000000000.0 ± 20000000000000000000000000000.0	XX ± 20000000000000000000000000000.0 ± 50000000000000000000000000000.0		
XX ± 20000000000000000000000000000.0 ± 50000000000000000000000000000.0	XX ± 50000000000000000000000000000.0 ± 100000000000000000000000000000.0		
XX ± 50000000000000000000000000000.0 ± 100000000000000000000000000000.0	XX ±		

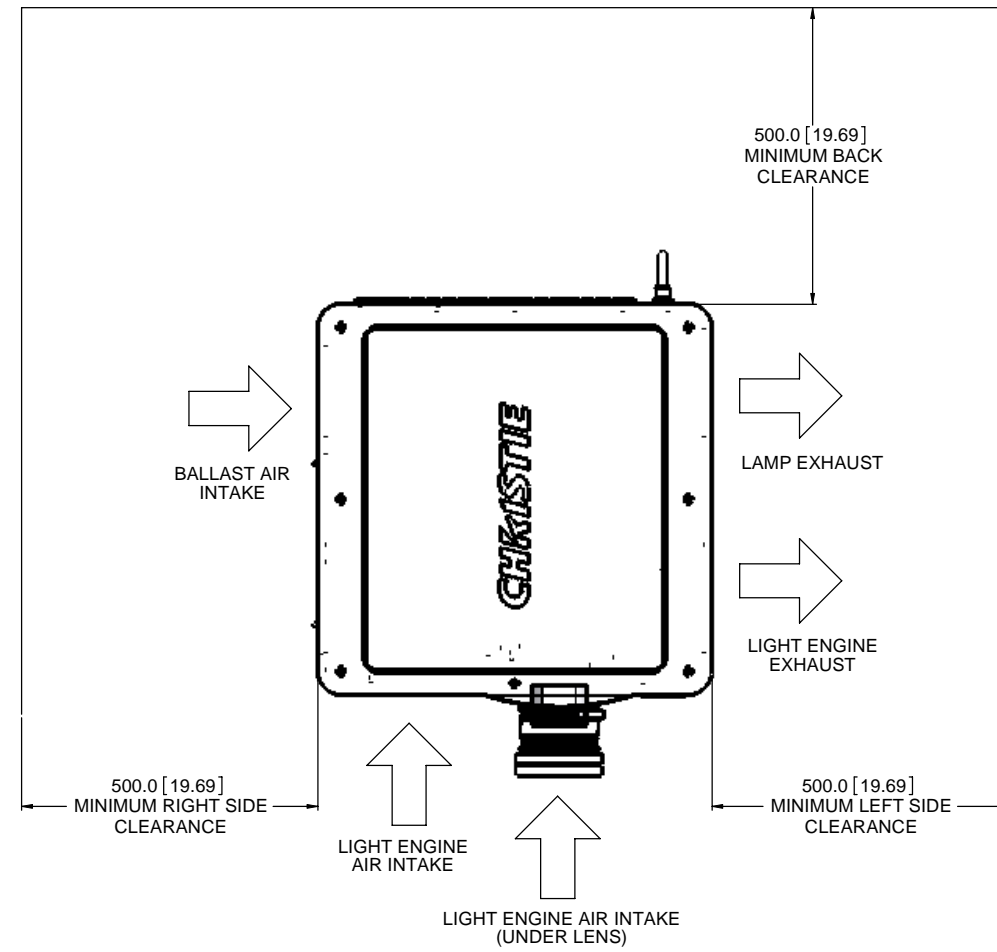
CENTER of GRAVITY WITH  
MOTORIZED AUXILIARY LENS MOUNT



SEE LENS CHART

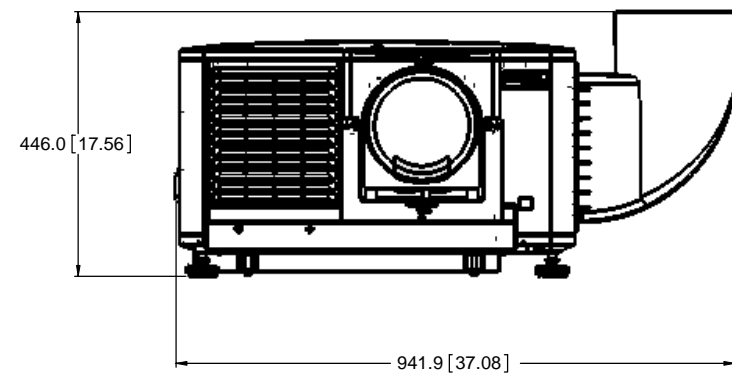
LENS	DIMENSION
1.3-1.75	369.2 [14.54]
1.75-2.4	334.0 [13.15]
2.4-3.9	319.8 [12.59]
3.9-6.52	304.0 [11.97]
1.05 (FIXED)	N/A
1.39-1.9	N/A
1.5-2.2	N/A
1.9-3.0	N/A

THERMAL CLEARANCES



LAMP EXHAUST

OPTIONAL SIDE EXHAUST



OPTIONAL MOTORIZED  
AUXILLIARY LENS MOUNT  
(MALM)

