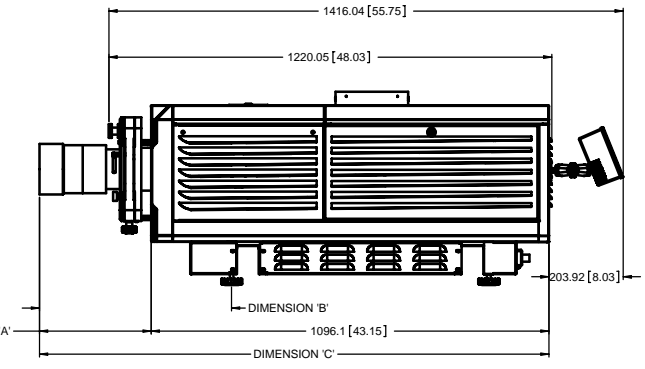
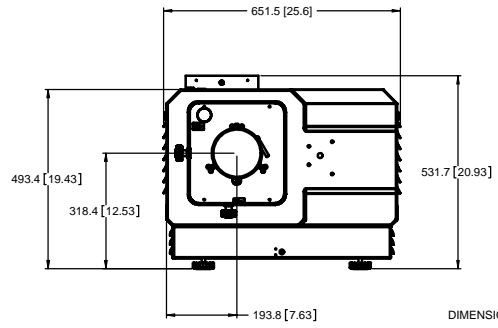
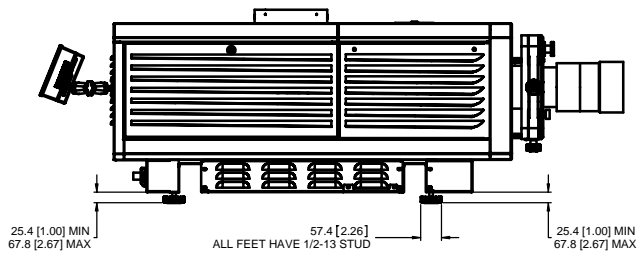
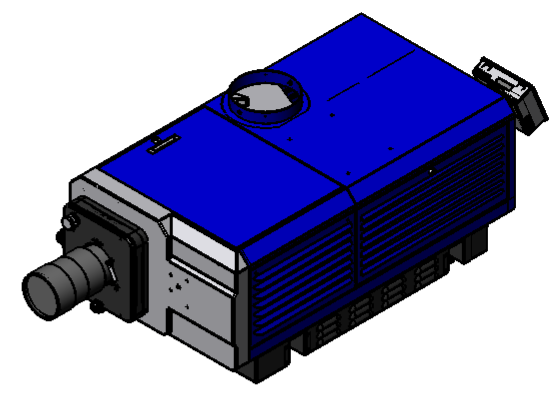
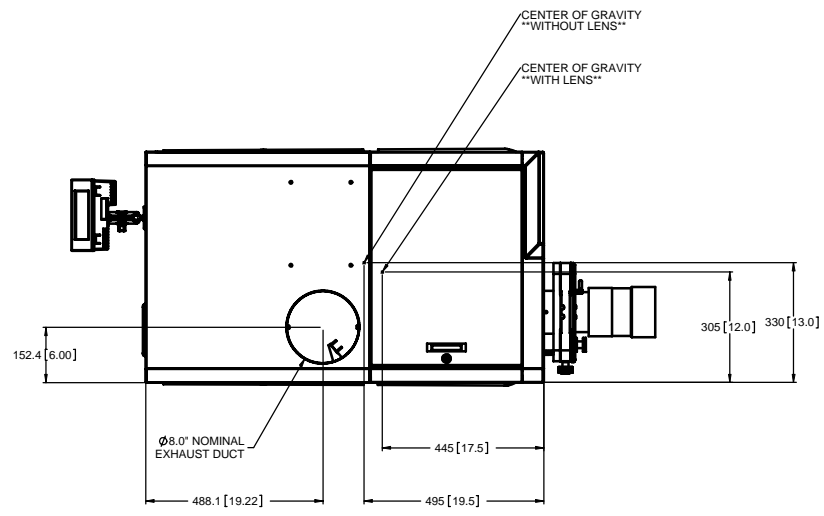
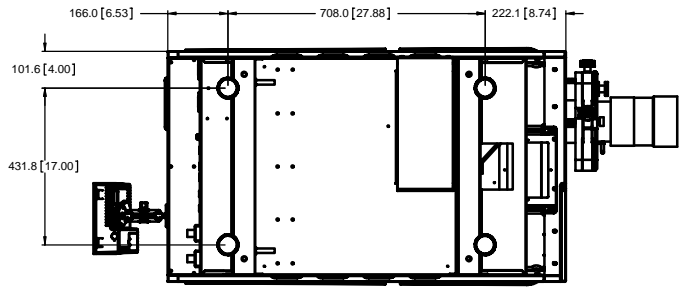


REVISION HISTORY OF: 020.XXXXXX.XX				
REV	NO	DESCRIPTION OF CHANGE	BY	REV DATE
01	00-2491	ORIGINAL RELEASE	MC	07/11/2008



LENS	DIMENSION 'A'	DIMENSION 'B'	DIMENSION 'C'
1.25-1.45	348.3 [13.71]	570.06 [22.44]	1444.4 [56.86]
1.45-2.8	296.6 [11.68]	518.36 [20.41]	1392.7 [54.83]
1.6-2.4	318.6 [12.54]	540.36 [21.27]	1414.7 [55.69]
1.8-2.4	284.9 [11.22]	506.66 [19.95]	1381 [54.37]
2.2-3.0	240.4 [9.46]	462.16 [18.19]	1336.5 [52.61]
3.0-4.3	285.3 [11.23]	507.06 [19.96]	1381.4 [54.38]
4.3-6.0	357.6 [14.08]	579.36 [22.81]	1453.7 [57.23]
5.5-8.5	403.5 [15.89]	625.26 [24.62]	1499.6 [59.04]



GENERAL NOTES:
 MASS: 118 kg (260 lbs) NO LENS
 AMBIENT AIR TEMPERATURE: 35°C (95°F) MAX.
 EXHAUST REQUIREMENTS: 900cfm @ 4.5 kW and 6.0+ kW
 450 cfm @ 1.6kW, 2.0kW, and 3.0kW

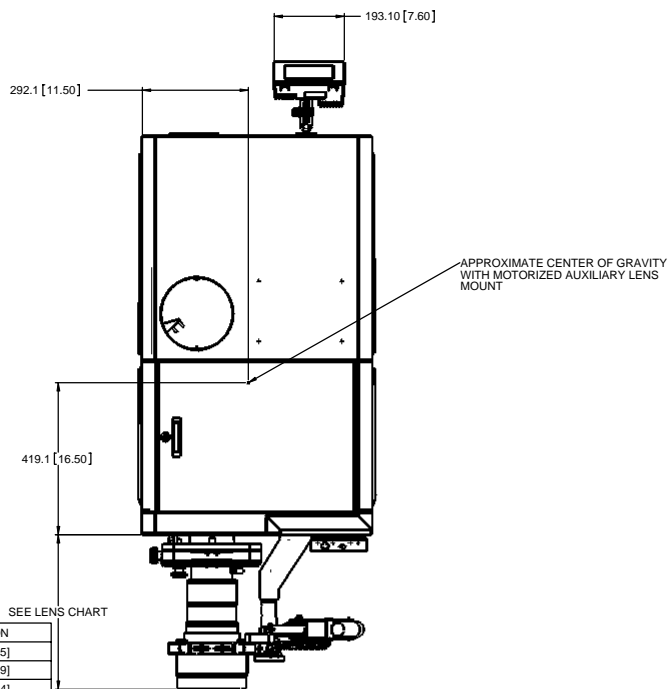
POWER REQUIREMENTS:
 PROJECTOR HEAD: 200 - 240 VAC, 10 AMP BREAKER
 POWER SUPPLY (BALLAST): THREE PHASE 200V OR 400V (SELECTABLE)

POWER CONSUMPTION: 7kW

ROOM HEAT LOAD (WITH EXTRACTOR): TBA
ROOM HEAT LOAD (WITHOUT EXTRACTOR): TBA
LAMP EXHAUST HEAT LOAD: TBA

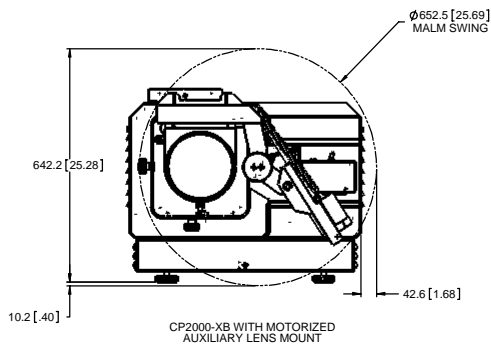
TILT ANGLE: 15° MAX. BACK TO FRONT
15° MAX. SIDE TO SIDE

UNITS: <input type="checkbox"/> INCHES <input checked="" type="checkbox"/> MILLIMETERS DIMENSIONS: <input type="checkbox"/> DIMENSIONS <input checked="" type="checkbox"/> DIMENSIONS TOLERANCES: <input type="checkbox"/> DIMENSIONS <input checked="" type="checkbox"/> DIMENSIONS DIMENSIONS: <input type="checkbox"/> DIMENSIONS <input checked="" type="checkbox"/> DIMENSIONS DIMENSIONS: <input type="checkbox"/> DIMENSIONS <input checked="" type="checkbox"/> DIMENSIONS	CAD MANAGED DATA DIMENSIONS: <input type="checkbox"/> DIMENSIONS <input checked="" type="checkbox"/> DIMENSIONS DIMENSIONS: <input type="checkbox"/> DIMENSIONS <input checked="" type="checkbox"/> DIMENSIONS DIMENSIONS: <input type="checkbox"/> DIMENSIONS <input checked="" type="checkbox"/> DIMENSIONS DIMENSIONS: <input type="checkbox"/> DIMENSIONS <input checked="" type="checkbox"/> DIMENSIONS	CHRISTIE DIGITAL SYSTEMS USA, INC. CHRISTIE DIGITAL SYSTEMS CANADA, INC.
DWG LINE CP2000-XB		020-100219-01 01



SEE LENS CHART

LENS	DIMENSION
1.45-1.8	461.1 [18.15]
1.8-2.4	454.4 [17.89]
2.2-3.0	402.3 [15.84]
3.0-4.3	447.2 [17.61]



CP2000-XB WITH MOTORIZED AUXILIARY LENS MOUNT

